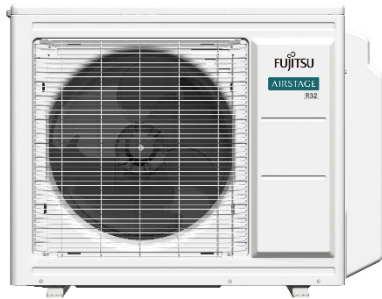


SUBMITTAL - 18KWS2

Job Name: _____	Date: _____
Location: _____	



Outdoor Unit: **AOUH18KWS2**



FEATURES

MULTI-ZONE OUTDOOR UNIT:

- Multi-zone outdoor Unit with a Connectable capacity of up to 130%
- Supports connection of up to 2 indoor units
- Low GWP R-32 systems for reduced environmental impact
- INVERTER-driven compressor that offers superior performance, comfort, and energy savings
- Efficiently delivers comfort with capacities ranging from 14,000 to 24,000 BTU
- Blue Fin-coated heat exchanger for improved corrosion resistance and coil durability
- Super quiet operation with sound levels as low as 48dB
- Common indoor units compatible with single and multi-zone systems: Compact Cassette, Mid Static Duct, Slim Duct, and Wall-Mount.
- Current limit function, allowing precise control to meet specific power requirements.
- Built-in safety features, including circuit protection, fan motor protection, and compressor protection, ensuring reliable operation and long-lasting durability
- Compact outdoor unit with extended line set lengths up to 164ft (50m)



7 Year Compressor, 5 Year Parts out-of-the-box Warranty.



10 Year Compressor, 10 Year Parts Warranty when registered within 60 days of installation in a residence.



12 Year Compressor, 12 Year Parts Warranty when registered within 60 days of installation and installed by a Fujitsu Elite contractor.



Due to continuous product improvements, specifications are subject to change without notice. Please log in to the Fujitsu Portal for the most up-to-date documentation <https://connect.fujitsugeneral.com>

Version: 20250409A

SUBMITTAL - 18KWAS2

SPECIFICATIONS:

Outdoor Unit				AOUH18KWAS2	
System Name				18KWAS2	
AHRI Number				215447687	
SEER2	Wall Mounted	Cooling	Btu/hW	22	
	Duct			19	
	Mixed			20.5	
EER2	Wall Mounted	Cooling	Rated	13.2	
	Duct			12.7	
	Mixed			12.9	
COP2	Wall Mounted	Heating	kW/kW	4.4	
	Duct			3.6	
	Mixed			4	
HSPF 2 (IV) / HSPF 2 (V)	Wall Mounted	Heating	Btu/hW	10.5 / 8.7	
	Duct			9.5 / 8	
	Mixed			10 / 8.3	
Outdoor Operation Range		Cooling	°F (°C)	14 TO 122 (-10 TO 50)	
		Heating		5 TO 75 (-15 TO 24)	
Outdoor Connection pipe	Size × Qty	Liquid	in (mm)	Ø1/4 (Ø6.35) × 2	
		Gas		Ø3/8 (Ø9.52) × 2	
	Method			FLARE	
	Pre-charge length (Total)			98 (30)	
	Min. length	Total		ft (m)	33 (10)
		Each			16 (5)
	Max. length	Total			164 (50)
		Each			82 (25)
	Additional charge			oz/ft (g/m)	0.22 (20)
	Outdoor Dimensions (H × W × D)		Net	in (mm)	28-3/16 × 32-5/16 × 12-3/8 (716 × 820 × 315)
Gross			35-1/16 × 40-7/16 × 17-1/2 (890 × 1,027 × 445)		
Outdoor Weight		Net	lb (kg)	99 (45)	
		Gross		119 (54)	
Outdoor Fan	Airflow rate	Cooling	CFM (m ³ /h)	1,336 (2,270)	
		Heating		1,271 (2,160)	
	Type × Qty			PROPELLER × 1	
	Motor output			W	49
Outdoor Sound Pressure Level ⁴		Cooling	dB (A)	48	
		Heating		49	

SUBMITTAL - 18KWAS2

SPECIFICATIONS:

Outdoor Refrigerant	Type		R32
	Charge	lb (g)	3 lb 1 oz (1,200)
Outdoor Refrigerant Oil	Type		RMM68AF
	Amount	in ³ (cm ³)	33.6 (550)
Power Supply			1Ø, 208/230 V~ 60 HZ
Available Voltage Range			187—253 V
Maximum Operating Current ^{*3}		A	12
Outdoor Starting Current		A	8
MCA ^{*5}			14.9
Wiring spec. ^{*6}	MAX. CKT. BKR ^{*7}		15
Energy Star ^{*8}			ES, ESCC, ESME

NOTES:

Outdoor Sound Pressure Level

- *4:
- Measured values in manufacturer’s anechoic chamber.
- Because of the surrounding sound environment, the sound levels measured in actual installation conditions might be higher than the specified values here.

Maximum Operating Current

- *3:
- Maximum current is maximum value when operated within the operation range.
- The total current of indoor unit and outdoor unit.

MCA

- *5: Minimum Circuit Ampacity (Calculation based on UL60335-2-40)

Wiring spec.

- *6: Selected sample based on Japan Electrotechnical Standards and Codes Committee E0005.
- As the regulations of wire size and circuit breaker differ in each country or region, select appropriate devices complied to the regional standard.

MAX. CKT. BKR

- *7: Maximum Circuit Breaker

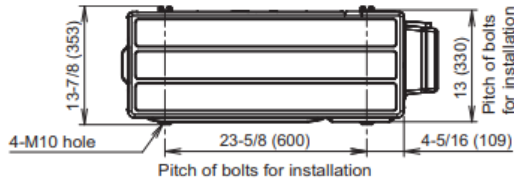
Energy Star – *8 : ES = Energy Star, ESCC = Energy Star Cold Climate, ESME= Energy Star Most Efficient.

System continues to operate below rated outdoor operation temperature range, subject to varying conditions. System has no low temperature cut out. Capacity is not tested outside of the rated temperature range.

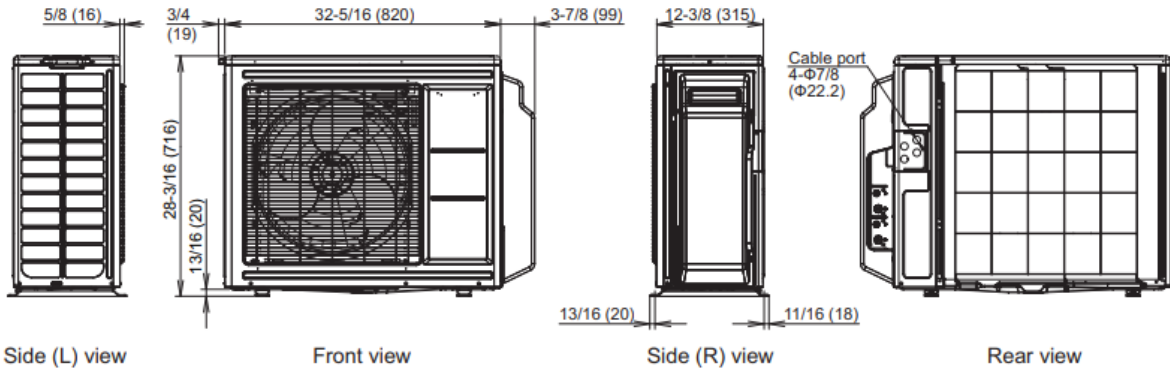
SUBMITTAL - 18KWA S2

OUTDOOR UNIT DIMENSIONS:

Unit: in (mm)



Top view

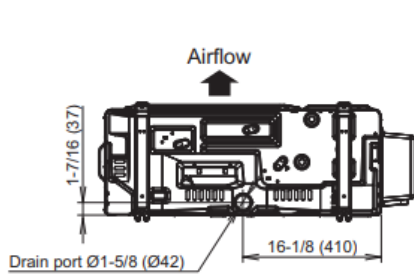


Side (L) view

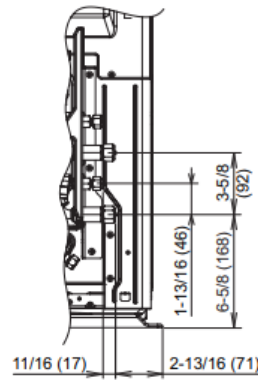
Front view

Side (R) view

Rear view



Bottom view



Side view (Valve part)

The Fujitsu logo is a worldwide trademark of Fujitsu General Limited. The Airstage logo and name is a worldwide trademark of Fujitsu General Limited and is a registered trademark in Japan, the USA and other countries or areas. Copyright 2025 Fujitsu General America, Inc. Fujitsu's products are subject to continuous improvements. Fujitsu reserves the right to modify product design, specifications and information in this brochure without notice and without incurring any obligations.